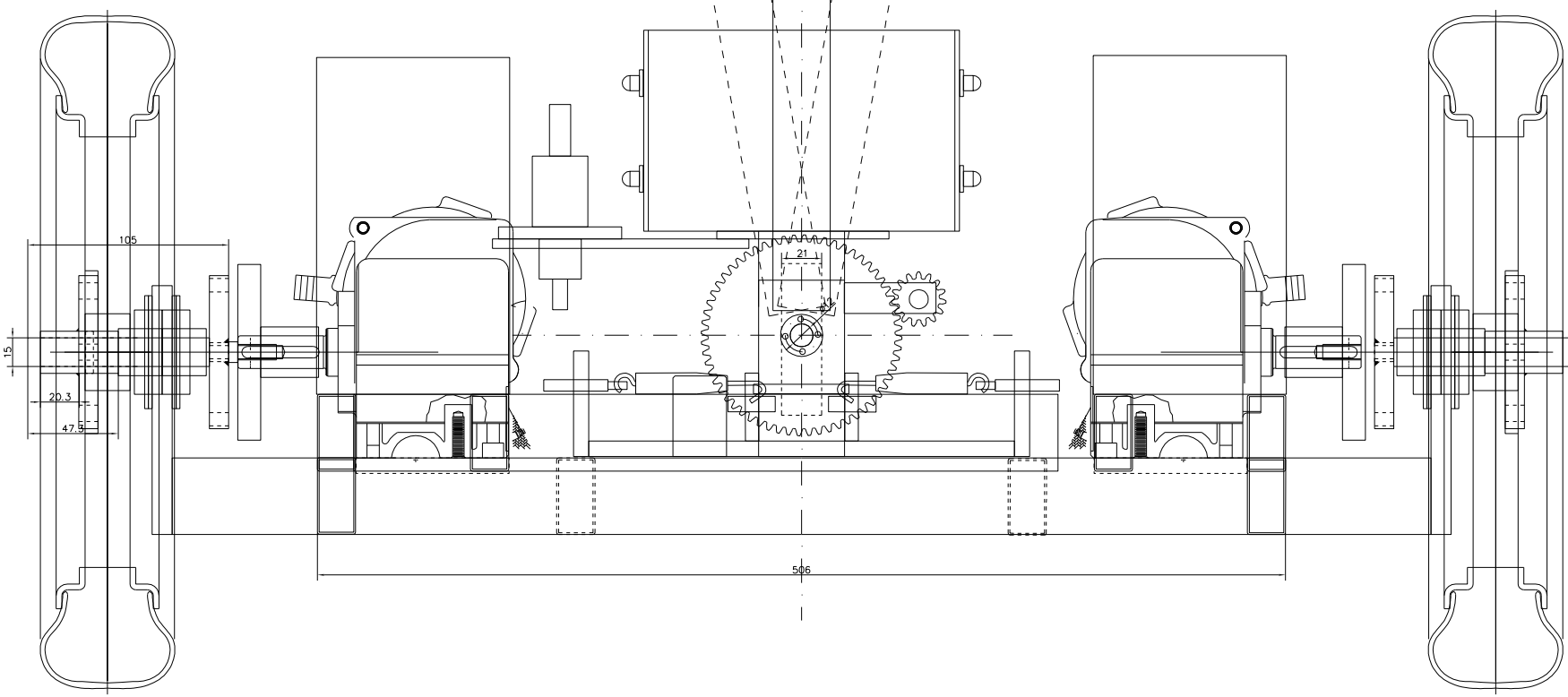


10° 10°



106

20.3
47.5

21.1

546